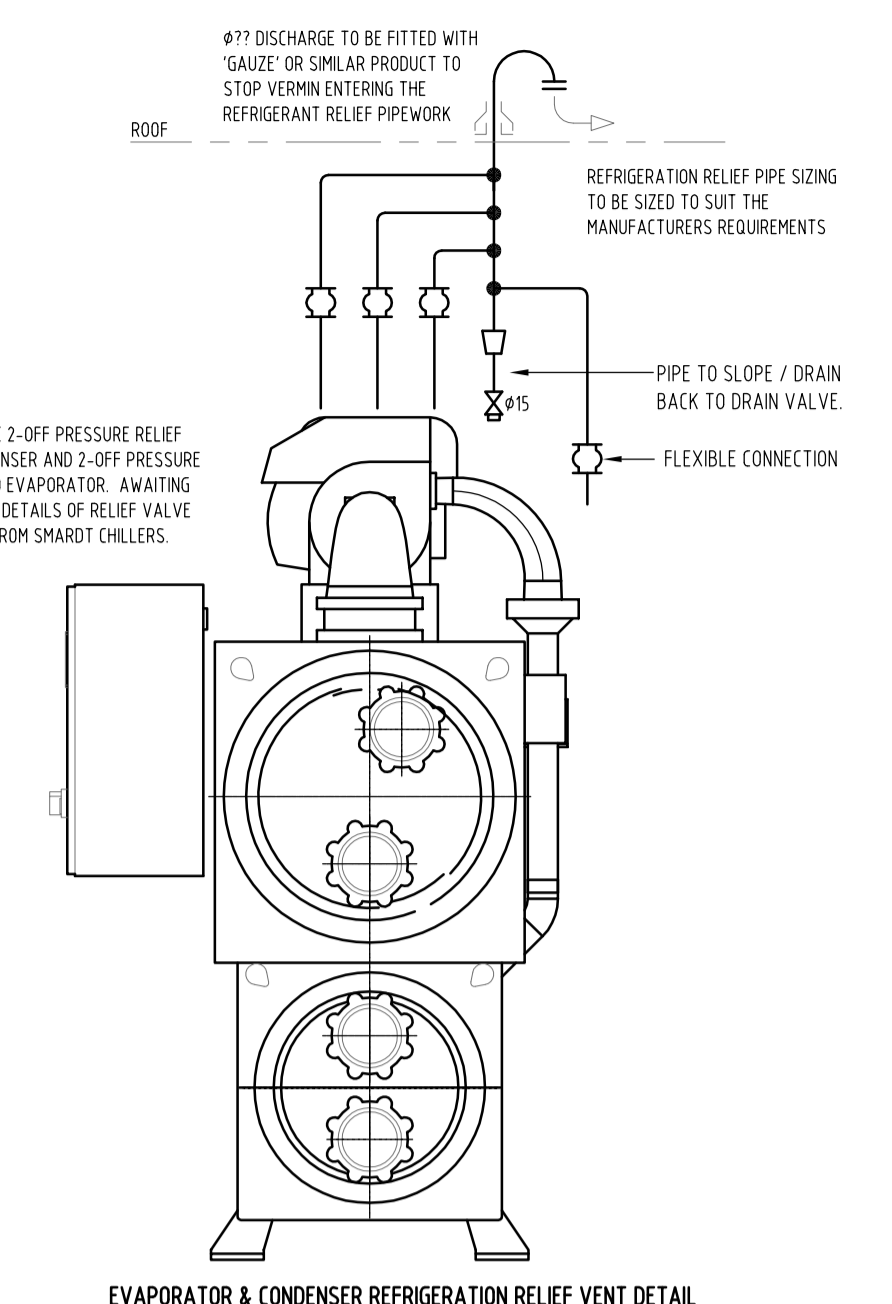


SMART CHILLERS ADVISE 2-OFF PRESSURE RELIEF VALVES FITTED TO CONDENSER AND 2-OFF PRESSURE RELIEF VALVES FITTED TO EVAPORATOR. AWAITING DETAILED DRAWINGS AND DETAILS OF RELIEF VALVE SIZING / REQUIREMENTS FROM SMART CHILLERS.



NOTES & LEGENDS:

- INDICATES AN ISOLATION BALL VALVE (SCREWED CONNECTION) UP TO Ø50mm AND OVER.
- INDICATES AN ISOLATION BUTTERFLY VALVE (FLANGED CONNECTION) Ø65mm AND OVER.
- INDICATES A 200mm (AND ABOVE) ISOLATION BUTTERFLY VALVE (FLANGED CONNECTION) FITTED WITH A GEARBOX.
- INDICATES A TOUR AND ANDERSSON (OR SIMILAR) BALANCING VALVE (SCREWED CONNECTION) UP TO Ø50mm.
- INDICATES A TOUR AND ANDERSSON (OR SIMILAR) STAT BALANCING VALVE FITTED WITH BINDER TEST POINTS (FLANGED CONNECTION) Ø65mm AND OVER.
- INDICATES A TWO (2) WAY CONTROL VALVE (FLANGED CONNECTION) Ø65mm AND OVER. VALVE POSITION FEEDBACK REQUIRED TO BE INDICATED ON DDC.
- INDICATES A "DUO-CHEK" TYPE CHECK VALVE.
- INDICATES A Y-STRAINER FITTED WITH A Ø20mm DRAIN VALVE (SUIT TABLE E FLANGE).
- BINDER OR EQUIVALENT UNIVERSAL TEST POINT COMPLETE WITH EXTENSION.
- Ø15 MANUAL AIR VENT.
- Ø15 AUTO AIR VENT.
- REDUCER.
- DDC TEMPERATURE SENSOR AND Ø15mm SOCKET.
- Ø100mm DIAL TEMPERATURE GAUGE AND SOCKET (LENGTH TO SUIT INSULATION THICKNESS).
- Ø100mm DIAL PRESSURE GAUGE AND SOCKET (LENGTH TO SUIT INSULATION THICKNESS).
- STOP COCK - BALL VALVE.
- INDICATES A STOP COCK / ISOLATION VALVE FITTED WITH A BRASS PLUG.
- INDICATES A DEMOUNTABLE JOINT (FOR REMOVAL OF EQUIPMENT).
- INDICATES A VICTAULIC DE-MOUNTABLE JOINT.
- DENOTES THE DIRECT DIGITAL CONTROLS SYSTEM.
- DENOTES THE WATER TREATMENT CONTROLLER.
- DENOTES A WATER METER WITH INTERFACE TO THE NOMINATED CONTROLLER / CONTROLS SYSTEM.
- DENOTES ULTRASONIC ENERGY METER, COMPLETED WITH FLOW AND RETURN TEMPERATURE SENSORS, INTERFACE TO THE DDC SYSTEM.
- DENOTES A "MAGFLO" TYPE FLOW METER (OR SIMILAR) WITH REMOTE HEAD LOCATED AT NOMINAL 1500AFL AND INTERFACE TO THE DDC SYSTEM.
- DENOTES A WATER CORPORATION APPROVED BACKFLOW PREVENTION DEVICE.
- DENOTES A DIFFERENTIAL PRESSURE SWITCH.
- DENOTES A DIFFERENTIAL PRESSURE SENSOR.

1 ISSUED FOR TENDER 24.01.19 G.A.H

No.	Revision	Date	Issued

Client:

P (08) 9335 5492
F (08) 9335 5835
A Level 2, 25 Cantonment Street, Fremantle WA 6160

Architect:

Cox Architecture
360 Murray Street,
Perth, WA 6000, Australia
T + 61 8 9322 2644
F + 61 8 9322 1664
www.coxarchitecture.com.au

Geoff Hesford Engineering
BE MIE.Aust

Level 1, 45 Market Street, Fremantle, Western Australia, 6160
Mobile: +61 419 911 166
Email: geoffh@hdengineering.com.au

Project:

**125 MURRAY STREET
125 MURRAY STREET, PERTH**

Sheet Title:

**MECHANICAL SERVICES
CONDENSER WATER
SCHEMATIC - GROUND TO L8**

Drawn: JMM	Date: Nov 2018	Job No.:	Drawing No.:	Revision:
Checked: GAH	Scale: 1:1 @ A1	2019004	M20	1
File: 2019004-Schematics				