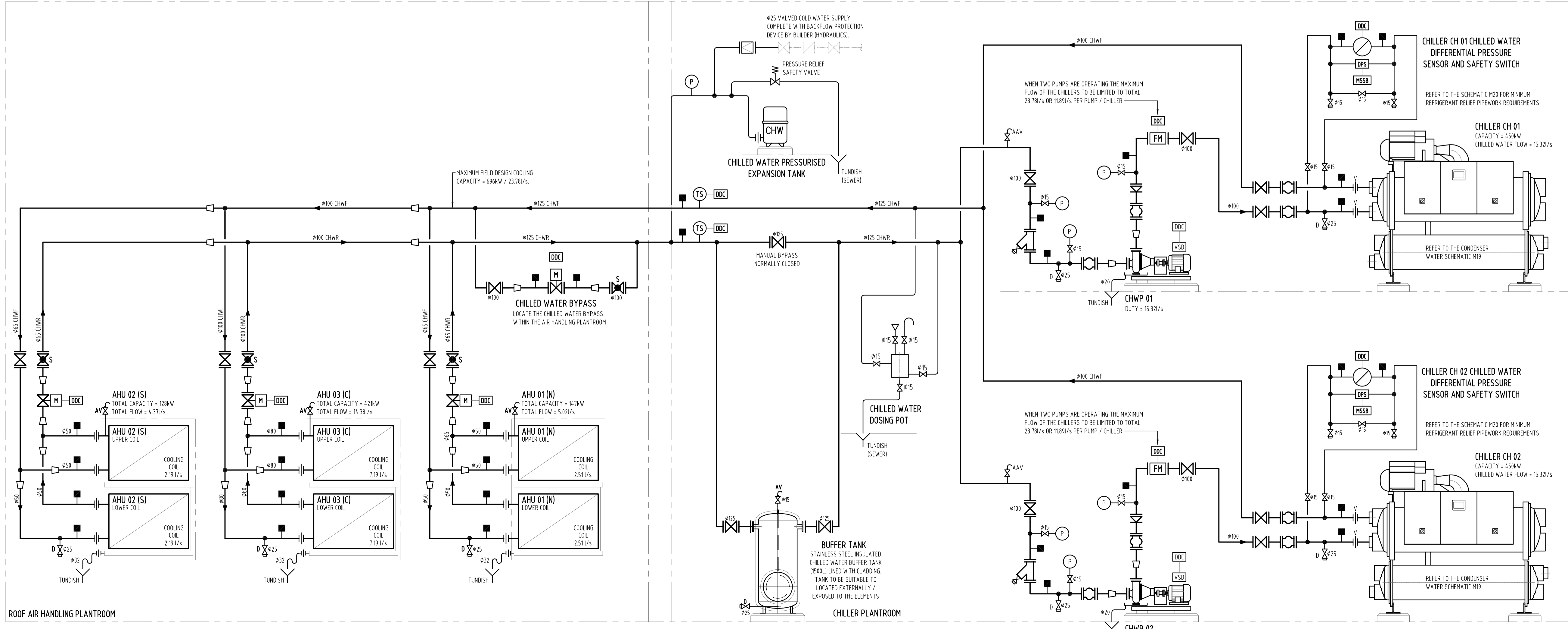


- ### NOTES & LEGENDS:
- INDICATES AN ISOLATION BALL VALVE (SCREWED CONNECTION) UP TO Ø50mm
 - INDICATES AN EXISTING ISOLATION BUTTERFLY VALVE (FLANGED CONNECTION) Ø55mm AND OVER
 - INDICATES AN ISOLATION BUTTERFLY VALVE (FLANGED CONNECTION) Ø65mm AND OVER
 - INDICATES A 200mm (AND ABOVE) ISOLATION BUTTERFLY VALVE (FLANGED CONNECTION) FITTED WITH A GEARBOX
 - INDICATES A TOUR AND ANDERSSON (OR SIMILAR) BALANCING VALVE (SCREWED CONNECTION) UP TO Ø50mm
 - INDICATES A TOUR AND ANDERSSON (OR SIMILAR) STAT BALANCING VALVE FITTED WITH BINDER TEST POINTS (FLANGED CONNECTION) Ø55mm AND OVER
 - INDICATES A TWO (2) WAY CONTROL VALVE (FLANGED CONNECTION) Ø65mm AND OVER. VALVE POSITION FEEDBACK REQUIRED TO BE INDICATED ON DDC
 - INDICATES A 'DUO-CHEK' TYPE CHECK VALVE
 - INDICATES A Y-STRAINER FITTED WITH A Ø20mm DRAIN VALVE (SUIT TABLE E FLANGE)
 - BINDER OR EQUIVALENT UNIVERSAL TEST POINT COMPLETE WITH EXTENSION
 - Ø15 MANUAL AIR VENT
 - Ø15 AUTO AIR VENT
 - REDUCER
 - DDC TEMPERATURE SENSOR AND Ø15mm SOCKET
 - Ø100mm DIAL TEMPERATURE GAUGE AND SOCKET (LENGTH TO SUIT INSULATION THICKNESS)
 - Ø100mm DIAL PRESSURE GAUGE AND SOCKET (LENGTH TO SUIT INSULATION THICKNESS)
 - STOP COCK - BALL VALVE
 - INDICATES A STOP COCK / ISOLATION VALVE FITTED WITH A BRASS PLUG
 - INDICATES A DEMOUNTABLE JOINT (FOR REMOVAL OF EQUIPMENT)
 - INDICATES A VICTAULIC DE-MOUNTABLE JOINT
 - DDC DENOTES THE DIRECT DIGITAL CONTROLS SYSTEM
 - WT DENOTES THE WATER TREATMENT CONTROLLER
 - WM DENOTES A WATER METER WITH INTERFACE TO THE NOMINATED CONTROLLER / CONTROLS SYSTEM
 - EM DENOTES ULTRASONIC ENERGY METER. COMPLETED WITH FLOW AND RETURN TEMPERATURE SENSORS. INTERFACE TO THE DDC SYSTEM
 - FM DENOTES A 'MAGFLO' TYPE FLOW METER (OR SIMILAR) WITH REMOTE HEAD LOCATED AT NOMINAL 1500AFL AND INTERFACE TO THE DDC SYSTEM
 - INDICATES A WATER CORPORATION APPROVED BACKFLOW PREVENTION DEVICE
 - DDPS DENOTES A DIFFERENTIAL PRESSURE SWITCH
 - INDICATES A DIFFERENTIAL PRESSURE SENSOR



1 ISSUED FOR TENDER 24.01.19 G.A.H

No.	Revision	Date	Issued

Client:

Silverleaf

P (08) 9335 5492
F (08) 9335 5935
A Level 2, 25 Cantonment Street, Fremantle WA 6160

Architect:

COX **Cox Architecture**
360 Murray Street, Perth, WA 6000, Australia
T +61 8 9322 3644
F +61 8 9322 1664
www.coxarchitecture.com.au

Geoff Hesford Engineering
BE MIE(Aust)
Level 1, 45 Market Street, Fremantle, Western Australia, 6160
Mobile: +61 419 911 166
Email: geoffh@hengenengineering.com.au

Project:

125 MURRAY STREET
125 MURRAY STREET, PERTH

Sheet Title:

MECHANICAL SERVICES
CHILLED AND HEATING WATER
SCHEMATIC

Drawn:	Date:	Job No.:	Drawing No.:	Revision:
JMM	Nov 2018		2019004	M18
Checked:	Scale:			1
GAH	1:1 @ A1		File: 2019004-Schematics	